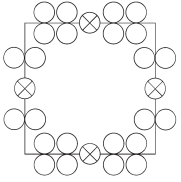
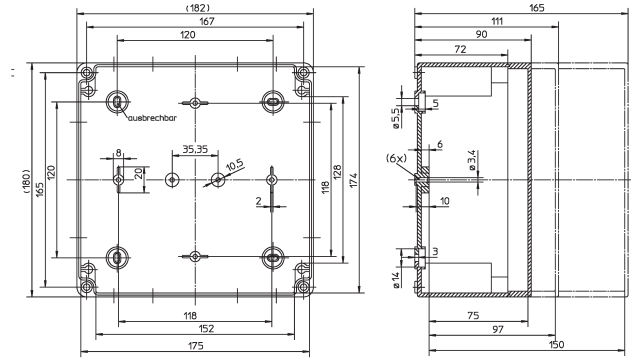


TK 1818

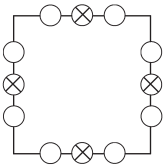


- = M 20
- ⊗ = M32/40

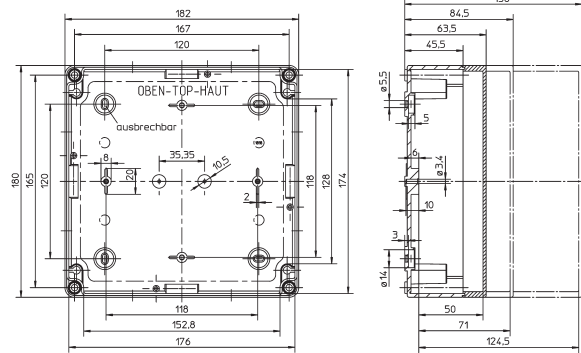


TK 1818-f

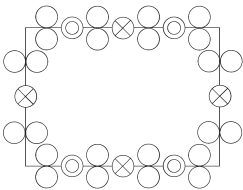
New!



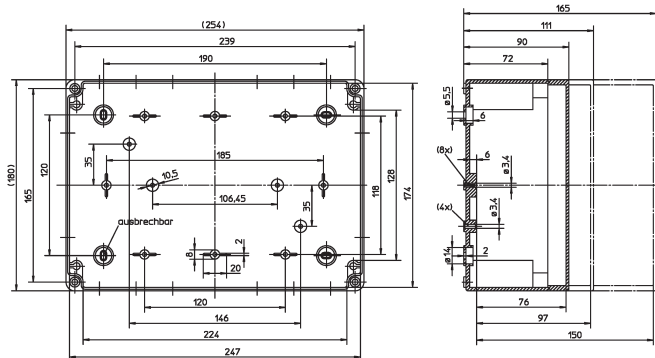
- = M 16/20
- ⊗ = M 25/32



TK 2518

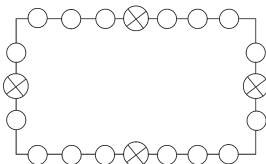


- = M 20
- ⊗ = M 25/32
- ⊗ = M32/40

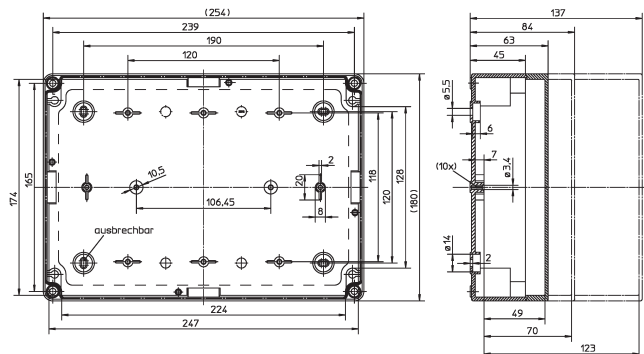


TK 2518-f

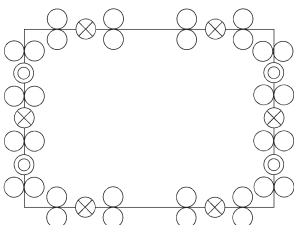
New!



- = M 16/20
- ⊗ = M 25/32



TK 3625



- = M 20
- ⊗ = M 25/32
- ⊗ = M32/40

